

Baker's Square

featuring **Cocoa Sweet**

by Danielle Leone



A 1 - 5 Karat Crystals
508-779-508



B 3017-27676-333
Ties, Lining,
Pocket borders &
Pocket linings
1 3/8 yds.

Prints as shown may not
be to exact scale.

Apron Size: 23" x 31-1/2"



Baker's Square Featuring Cocoa Sweet

Please read all instructions carefully AND identify all fabrics before beginning.

All instructions include a 1/4" seam allowance and strips are cut selvage to selvage, unless stated otherwise.

1. Cut the following:

Note: Prints in 5 Karat pack may vary from color quilt image.

Fabric A - From 3 different color squares, cut (12) 2-1/2" squares. 

Fabric B - Cut (3) 2-1/2" strips, subcut (2) 28-1/2" strips, (2) 20-1/2" strips, and (2) 1-1/2" x 4-1/2" strips

Cut (1) 1-3/4" strip, subcut (4) 1-3/4" x 7-1/2" strips

Cut (1) 27-1/2" x 32" apron lining piece with the 32" edge parallel to selvage, and (2) 7" x 7-1/2" pocket lining pieces

2. Piecing Order:

1. Fold a 2-1/2" x 28-1/2" **Fabric B** strip lengthwise, right sides together, aligning raw edges. Stitch along length and 1 short end. Turn right side out and press.

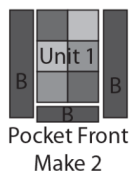


2. Repeat Step 1 with second **Fabric B** 2-1/2" x 28-1/2" strip and 2 **Fabric B** 2-1/2" x 20-1/2" strips to make 2 waist ties (1" x 28-1/4") and 2 neck ties (1" x 20-1/4").

3. Arrange 2 of each color **Fabric A** 2-1/2" squares into 2 columns of 3 squares. Stitch into columns, then stitch 2 columns together to make Unit 1. Make 2 Unit 1 (4-1/2" x 6-1/2" unfinished).



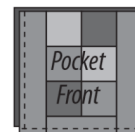
4. Sew a **Fabric B** 1-1/2" x 4-1/2" strip to 4-1/2" bottom end of Unit 1, then sew a **Fabric B** 1-3/4" x 7-1/2" strip to each 7-1/2" side of Unit 1 to make Pocket Front (7" x 7-1/2" unfinished). Repeat to make 2 Pocket Fronts.



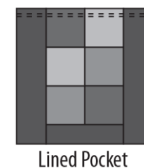
Letters in italics indicate wrong side of fabric.

Shading of diagrams may vary depending on fabrics used.

5. Align a **Fabric B** 7" x 7-1/2" pocket lining piece with Pocket Front, right sides together. Stitch both long edges and bottom edge, then turn right side out. Press.

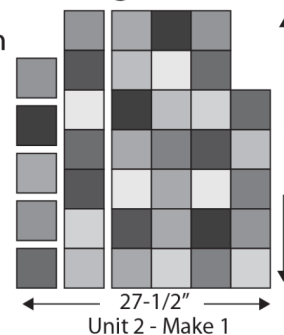


6. Fold in top raw edges and press. Stitch a double row across top through all thicknesses to make lined Pocket. Repeat steps 5 and 6 to make 2 lined Pockets (6-1/2" x 7" finished).

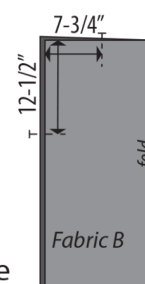


7. Arrange (38) 5" squares into 4 columns of 7 and 2 columns of 5 as shown in diagram.

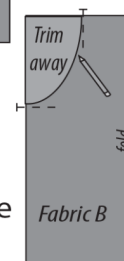
8. Stitch into columns, then stitch columns together as shown, aligning bottom and placing the 5-square columns on the outside edges to make Unit 2 (27-1/2" x 32" unfinished). Press well.



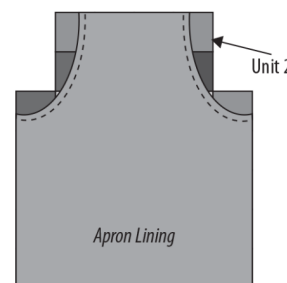
9. Fold 27-1/2" x 32" **Fabric B** apron lining in half lengthwise. Place a pin in the top to mark 7-3/4" from the open side, and a pin in the open side to mark 12-1/2" from the top.



10. Draw a freehand curved line on the folded **Fabric B** connecting the two points as shown OR make a template from the diagram on page 3, and use it to draw the line. Cut on the line and discard the corner pieces to make apron lining.

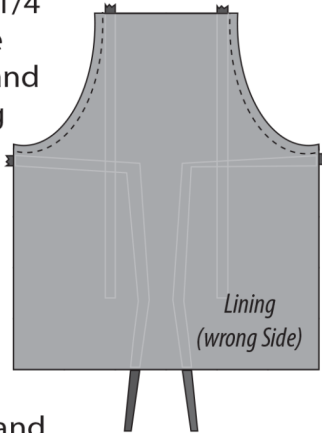


11. Open lining and lay over Unit 2, right sides together, matching raw edges on top, bottom and sides. Pin or baste curved edges, then stitch a 1/4" seam along each curve. Trim away excess fabric. Clip curves. Do NOT turn right side out.



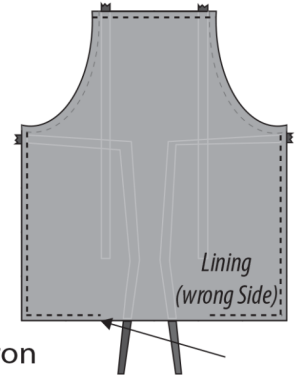
Baker's Square Featuring *Cocoa Sweet*

12. Insert the (2) 1" x 20-1/4" neck straps between the apron and lining layers and arrange next to stitching with the raw ends showing approximately 1/4" above the top as shown. Pin or baste in place.

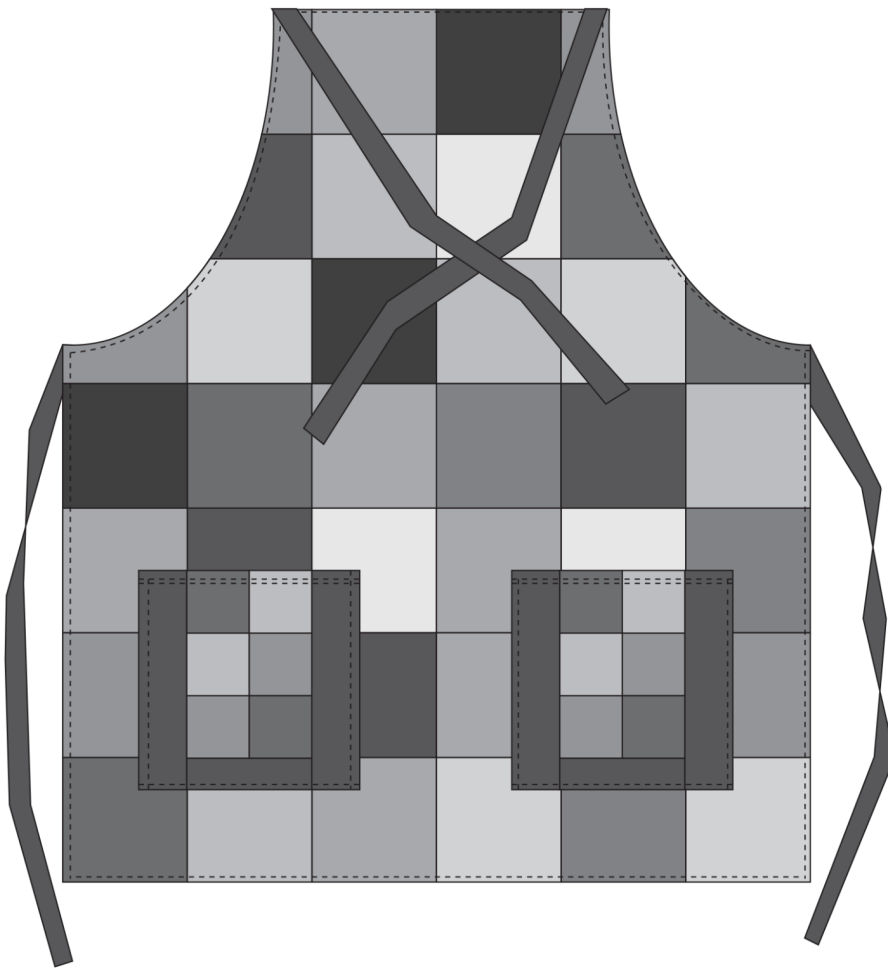


13. Insert the (2) 1" x 28-1/2" waist ties between the apron and lining layers and arrange next to stitching with the raw ends approximately 1/4" out of the sides as shown. Pin or baste in place.

14. Being careful to avoid loose ends of ties at bottom, stitch across top, sides, and bottom, leaving an opening in the bottom for turning. Turn apron right sides out. Press. Press in edges of bottom opening 1/4", then pin or baste closed. Topstitch around entire apron 1/8" from edges.



15. Pin lined pockets to apron where comfortable. Stitch pockets to apron along sides and bottom of pockets, through all layers, to complete the apron. Enjoy!!



Baker's Square Featuring Cocoa Sweet

7-3/4"

10"

2-1/2"

TEMPLATE

Trace both template pieces and attach together matching double hash marks.

*Side should measure 12-1/2"
and top should measure 7-3/4".*

Adjust if necessary.

*This is a 2" square.
If it does not measure 2" square after
printing, you may need to adjust
the template.*